

BULKHEAD CONNECTORS

MECAIR

BULKHEAD CONNECTORS

PRODUCT LEAFLET



DESCRIPTION

The bulkhead fittings connect the valve to the blowtube through the wall of the filter. An important saving of time and material is allowed by the quickness of the connection to an unthreaded blowtube with no need for welding or use of additional fittings. Two versions of the bulkhead compression fittings are available:

- **PTO:** two-piece tube connection fittings
- **PTS:** through tube connection fittings.

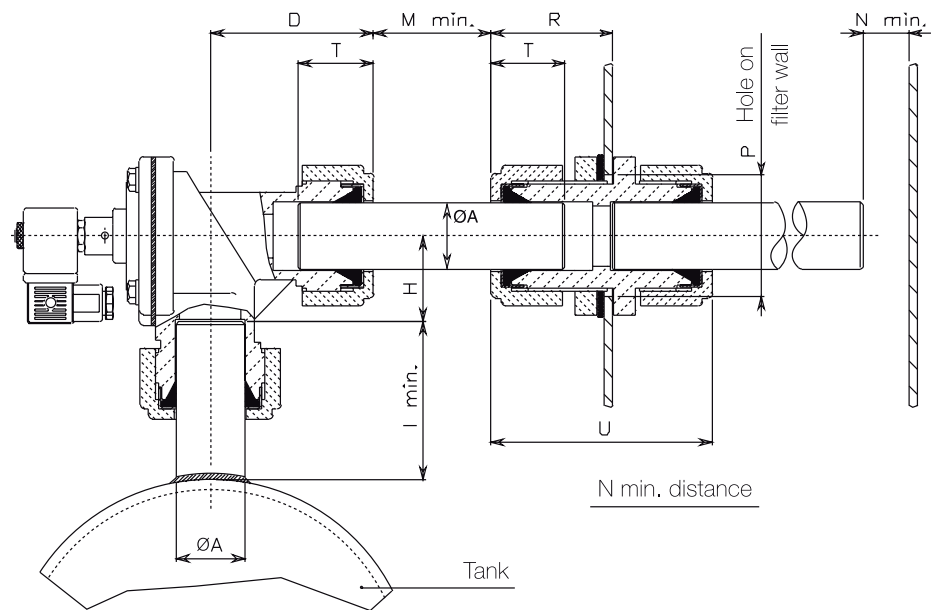
Use smooth, unthreaded pipes for connecting the header tank and filter blowtubes to the valve. Then tighten the quick-fit connections with the proper size CH wrench (for nut rings) and PH (for bolts).

Note: Not to be used as a mechanical support for tank and valves.

GENERAL CHARACTERISTICS

BODY	Diecast aluminium (anodised)
SEALS	Standard: NBR: -30°C/+100°C Optional: Silicon: -60°C/+200°C

PTD ASSEMBLING LAYOUT WITH A TWO-PIECE PIPE



MODEL	Ø A	D	H	I	M	N	T	WEIGHT KG
VNP 306	3/4"	67	40	50	56	48	30	0.9
VNP 308	1"	80	48	50	70	50	36	1.2
VNP 314	1½"	99	53	85	80	54	42	2.3

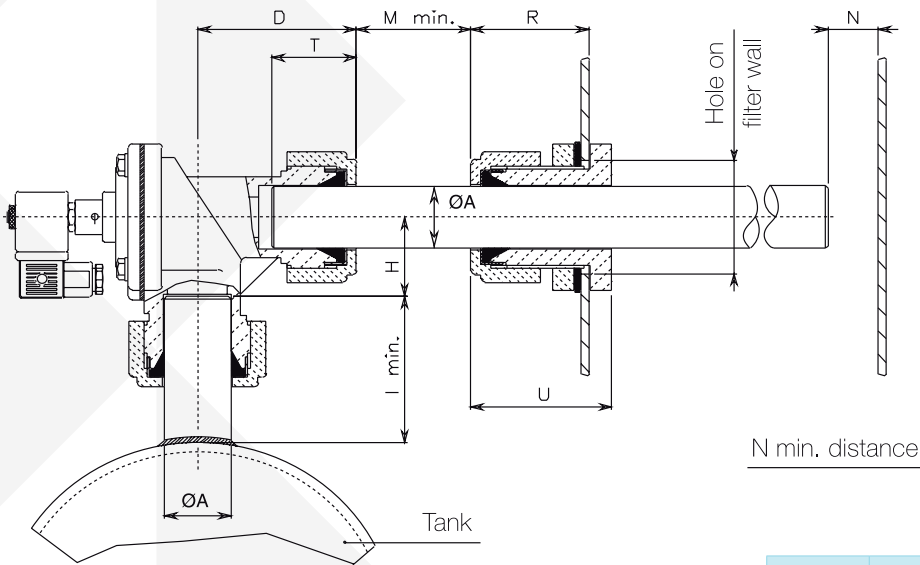
MODEL	Ø A	R	Ø P	P Ø MAX.	U	WEIGHT KG
PTD 306	3/4"	51	42	45	102	0.35
PTD 308	1"	55	54	58	106	0.6
PTD 314	1½"	74	70	74	140	1.3
PTD 316	2"	77	84	86	148	2

MECAIR

BULKHEAD CONNECTORS

PRODUCT LEAFLET

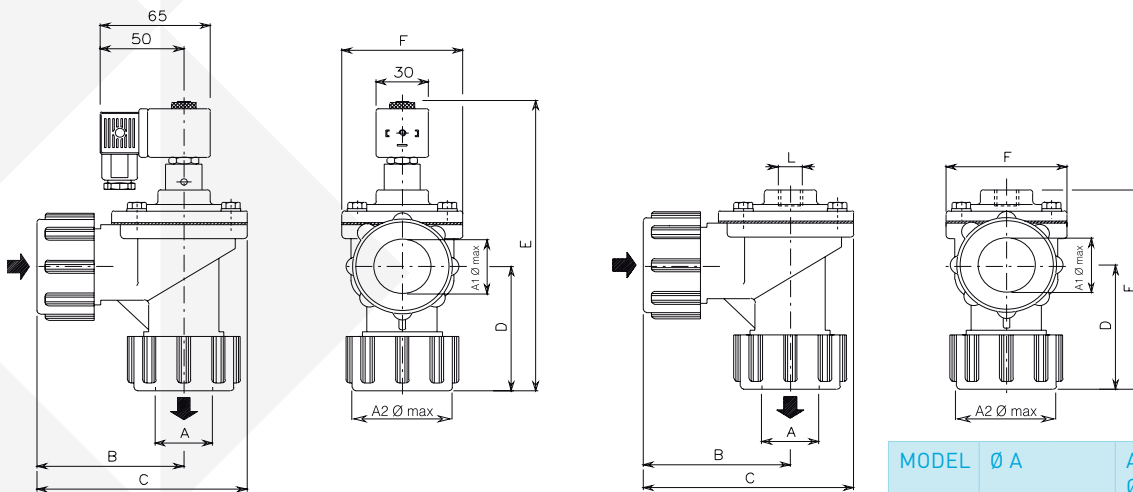
PTS ASSEMBLY LAYOUT WITH SINGLE PIPE



MODEL	Ø A	D	H	I	M	N	T	WEIGHT KG
VNP 306	3/4"	67	40	50	56	48	30	0.9
VNP 308	1"	80	48	50	70	50	36	1.2
VNP 314	1½"	99	53	85	80	54	42	2.3

MODEL	Ø A	R	Ø P	P Ø MAX.	U	WEIGHT KG
PTS 306	3/4"	51	42	45	65	0.25
PTS 308	1"	55	54	58	68	0.4
PTS 314	1½"	74	70	74	94	0.86
PTS 316	2"	77	84	86	96	1.65

DIAPHRAGM VALVE SERIES 300



MODEL	Ø A	A1 Ø MAX.	A2 Ø MAX.	CH WRENCH
306	3/4"	26.7	27	CH06
308	1"	33.4	33.8	CH08
314	1½"	48.3	48.8	CH14

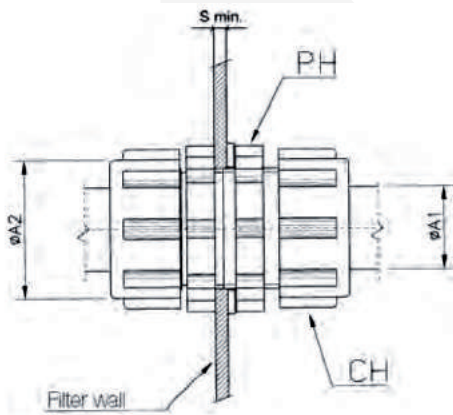
MECAIR

BULKHEAD CONNECTORS

PRODUCT LEAFLET

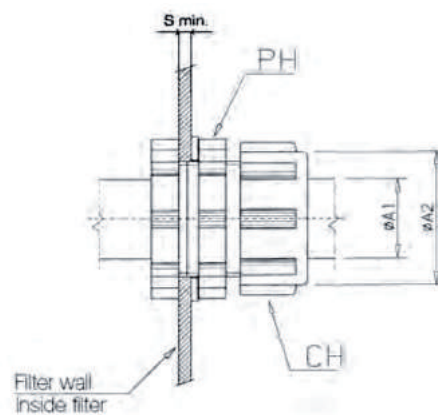
PART NUMBER AND DIMENSIONS

PTD 3



MODEL	ϕA		A1 ϕ MAX.	A2 ϕ MAX.	CH WRENCH	PH WRENCH
PTD 306	3/4"	26.7	27	48	CH06	PH06
PTD 308	1"	33.4	33.8	61	CH08	PH08
PTD 314	1 1/2"	48.3	48.8	82	CH14	PH14
PTD 316	2"	60.3	60.8	95	CH16	PH16

PTS 3



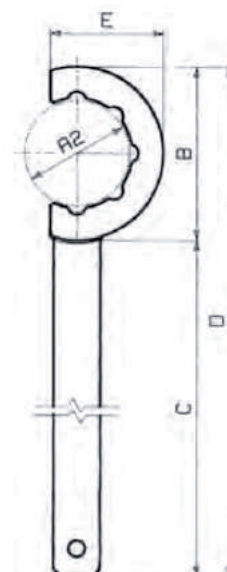
MODEL	ϕA		A1 ϕ MAX.	A2 ϕ MAX.	CH WRENCH	PH WRENCH
PTS 306	3/4"	26.7	27	48	CH06	PH06
PTS 308	1"	33.4	33.8	61	CH08	PH08
PTS 314	1 1/2"	48.3	48.8	82	CH14	PH14
PTS 316	2"	60.3	60.8	95	CH16	PH16

ASSEMBLING CH AND PH WRENCHES

MODEL	$\phi A1$	$\phi A2$	ϕB	C	D	E	WEIGHT KG
CH06	3/4"	48	90	200	280	55	0.24
CH08	1"	61	100	250	350	68	0.44
CH14	1 1/2"	82	130	300	430	85	0.7
CH16	2"	95	150	350	500	100	0.78
CH20	2 1/2"	115	170	350	520	110	0.8
CH24	3"	128	190	350	540	120	0.9

MODEL	$\phi A1$	$\phi A2$	ϕB	C	D	E	WEIGHT KG
PH06	3/4"	55	80	200	280	55	0.24
PH08	1"	70	100	260	360	65	0.31
PH14	1 1/2"	90	130	270	400	85	0.5
PH16	2"	95	150	350	500	100	0.78

CH and PH





MECAIR SRL

VIA BERTACCIOLA, 50, 20813 BOVISIO MASCIAGO (MB), ITALY WWW.GOYENMECAIR.PENTAIR.COM

Note: The information and data contained in this document are based on our general experience and are believed to be correct. They are given in good faith and are intended to provide a guideline for the selection and use of our products. Since the conditions under which our products may be used are beyond our control, this information does not imply any guarantee of final product performance and we cannot accept any liability with respect to the use of our products. The quality of our products is guaranteed under our conditions of sale. Existing industrial property rights must be observed.
PL PENTAIR MECAIR BULKHEAD CONNECTORS 3517 © 2017 Pentair. All Rights Reserved.