

# GOYEN - CP SERIES - CLOSE PITCHED VALVE MANIFOLD SYSTEM

PRODUCT LEAFLET



CP Series

## MANIFOLD CONSTRUCTION CHARACTERISTICS

MANIFOLD DIAMETER	12" nominal (DN 12")
MANIFOLD ENDS TYPE	Flat
CONSTRUCTION MATERIALS	Carbon steel or stainless steel (304 and 316L)
CONSTRUCTION COMPLIANCE/ CERTIFICATIONS AVAILABLE	- 97/23/EC (PED) - ASME VIII Div 1 (U & UM Stamp)
MINIMUM SPACING BETWEEN PULSE PIPE OUTLETS	175 mm 6.89"
PULSE PIPE SIZE	3" Schedule 40
PULSE PIPE END TYPE	Plain (Ø 88.9 mm OD)
TANK-TO-TANK CONNECTION FITTING SIZE	2" Gas (BSPP) female

## DESCRIPTION

12" diameter filter cleaning system manifold complete with 3" port CPV valves. Used in the reverse pulse cleaning of particulate filter elements. Suited to very narrow filter arrangements.

## FEATURES

- ASME or PED compliance
- Carbon or stainless steel
- Minimum valve-to-valve spacing of 175 mm (6.89")
- Manifold pressure range from 1.0 to 8.0 bar (14.5 to 116 psi)
- Very high flow rates
- Rapid open and closing response rates

Please refer to Close Pitched Valve specification for valve performance and technical details.

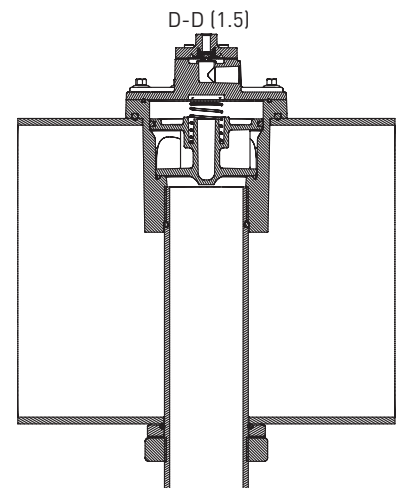
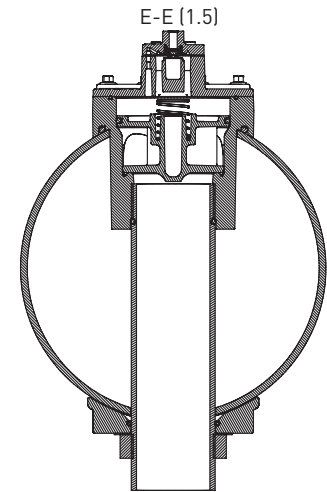
## MANIFOLD TEMPERATURE RATINGS

CARBON STEEL CONSTRUCTION	-40°C to 100°C -40°F to 230°F
STAINLESS STEEL CONSTRUCTION	-50°C to 93°C -58°F to 199°F
VALVE OPERATING TEMPERATURE RANGE	-30°C to 100°C -22°F to 212°F
MANIFOLD PRESSURE LIMITS	1.0 to 8.0 bar 14.5 to 116 psi

## STANDARD FINISHES

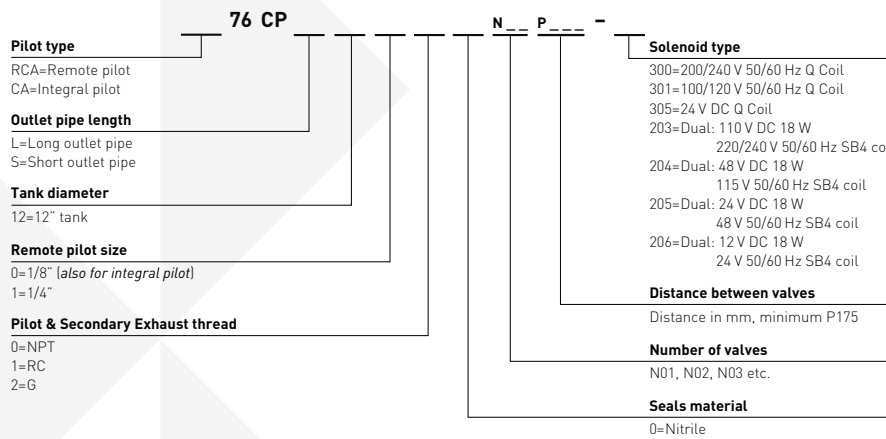
**Carbon steel tanks:** Abrasive cleaning, degreasing, undercoat (anti-rust) RAL7042 (25 µm), top coat (polyurethane) RAL5012 (25 µm minimum), total thickness 50 µm (-10% + 40%).

Other finishes, including e-coat/cataphoresis, available on request.

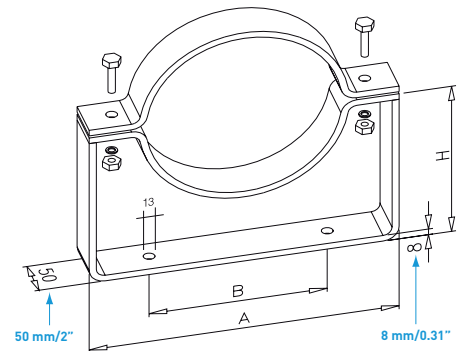


# GOYEN - CP SERIES - CLOSE PITCHED VALVE MANIFOLD SYSTEM

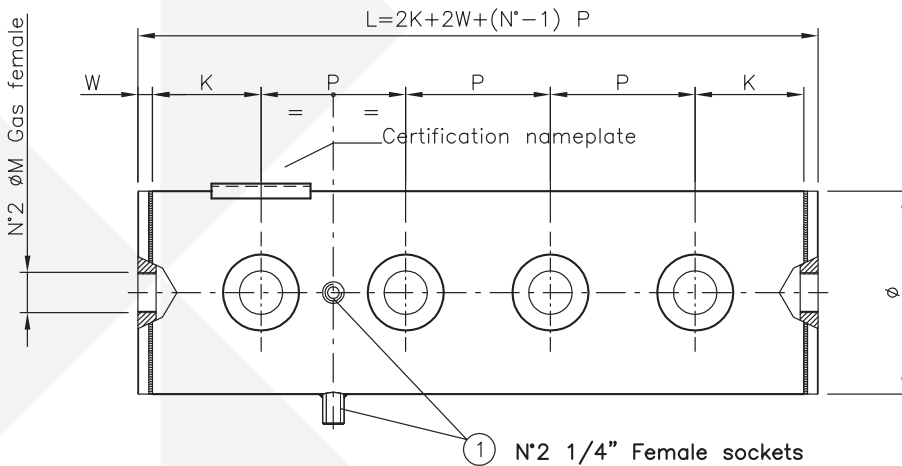
## ORDER CODE - CLOSE PITCHED VALVE MANIFOLD SYSTEM



## MANIFOLD BRACKETS



## MANIFOLD DIMENSIONS



## BRACKET DIMENSIONS

MODEL	A	B	H
TH12	490 mm (19")	300 mm (12")	340 mm (13")
TM12	490 mm (19")	300 mm (12")	288 mm (11")
TB12	490 mm (19")	300 mm (12")	234 mm (9.2")

P MIN.	K MIN.	W	ØM
175 mm (6.89")	100 mm (3.94")	20 mm (0.79")	2"



### GOYEN CONTROLS PTY LIMITED

268 MILPERRA ROAD, MILPERRA NSW 2214, AUSTRALIA WWW.GOYENMECAIR.PENTAIR.COM

Note: The information and data contained in this document are based on our general experience and are believed to be correct. They are given in good faith and are intended to provide a guideline for the selection and use of our products. Since the conditions under which our products may be used are beyond our control, this information does not imply any guarantee of final product performance and we cannot accept any liability with respect to the use of our products. The quality of our products is guaranteed under our conditions of sale. Existing industrial property rights must be observed. PL PENTAIR GOYEN CP SERIES 0318 © 2018 Pentair. All Rights Reserved.